

DCM-300BAH-OS

Item # _____

Project: _____

Qty: _____

*AutoCad available on KCL

OPTI-SERVE SERIES SANITARY CUBELET ICE MACHINE/DISPENSER

DCM-300BAH-OS

4/1/15

Item #13285

DIMENSIONS W x D x H

DCM-300BAH-OS

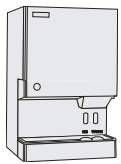
26 x 22^{1/2} x 40

SD-450

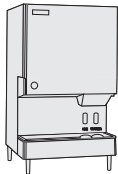
26^{1/4} x 22 x 32^{1/2}

SD-500

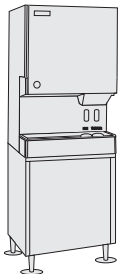
25^{9/10} x 22 x 32^{3/4}



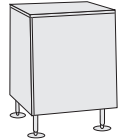
DCM-300
Countertop



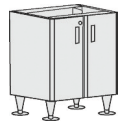
DCM-300
Countertop
with optional
6" legs



DCM-300
Floor Model
with optional
stand



SD-450
optional
stand



SD-500
optional
stand



DCM-300BAH-OS

Air-Cooled
Shown on an optional
SD-500 Stand



*Hands-free sensor designed for use with opaque containers. Not intended for outdoor use - avoid placement in direct sunlight.

DCM-300BAH-OS

- CleanCycle I2™ - Every 12 hours, unit performs 20 minute purge to rid itself of impurities 
- LED Remote sensor for hands-free operation
- Sealed LED housing prevents moisture from entering, eliminating the possibility of an electrical short
- Corrosion resistant stainless steel exterior
- Up to 32 l. lbs. of ice production per 24 hours, with 40 lbs. built-in storage
- Easy to chew, cubelet ice
- Self contained design reducing opportunities for cross contamination
- Dispenses ice and water
- Removable air filters (Air-cooled model only)
- Protected by H-GUARD Plus Antimicrobial Agent 

SD-450 Stand / SD-500 Stand

- Heavy duty stand for floor model icemaker/dispenser
- Corrosion resistant stainless steel exterior
- Easy cleaning with attractive appearance
- Locking doors standard on SD-500

Warranty

Valid in United States, Canada, Puerto Rico, & U.S. Territories. Contact factory for warranty in other countries.

Three Year - Parts & Labor on entire machine. (Serial numbers Vxxxxx) and after.)

Five Year - Parts on: Compressor, air-cooled condenser.



DCM-300BAH-OS SANITARY CUBELET ICE MACHINE/DISPENSER - OPTI-SERVE SERIES

DIMENSIONS

W x D x H
DCM-300BAH-OS
 26 x 22^{1/2} x 40
SD-450
 26^{1/4} x 22 x 32^{1/2}
SD-500
 25^{9/10} x 22 x 32^{3/4}

- Hands-free ice machine/dispenser
- Optional stand
- Optional stand with locking doors

AIR-COOLED

Water Temp° F.	50°	70°	90°
Air Temp° F. 70°	321	307	291
80°	277	263	249
90°	237	232	214

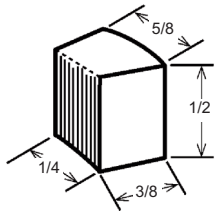
UTILITY CONSUMPTION

Model Number	Approximate Electrical		KWH per 100 LBS.	
	90/70	70/50	90/70	70/50
DCM-300BAH-OS	661W	653W	6.84	4.88

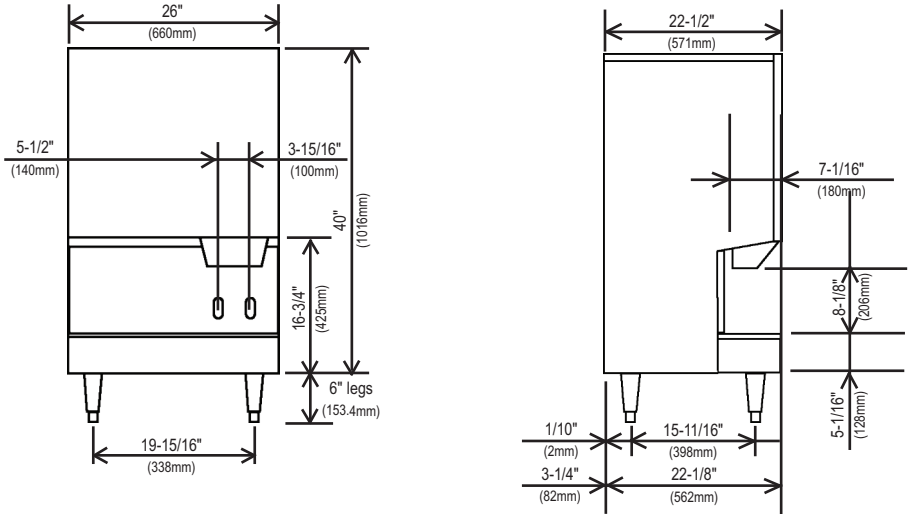
SPECIFICATIONS

Model Number	Condenser	Amperage	Min. Circuit Ampacity	Shipping Weight
DCM-300BAH-OS	Air-Cooled	10.25	20	218 lbs.
SD-450	N/A	N/A	N/A	110 lbs.
SD-500	N/A	N/A	N/A	98 lbs.

*CUBELET DIMENSIONS

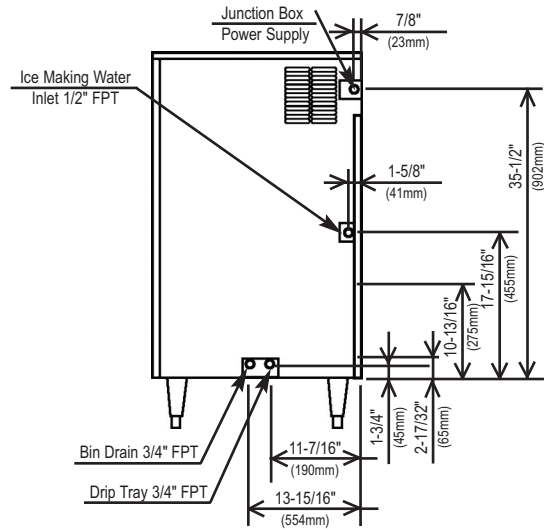


*approximate size in inches, image not to scale

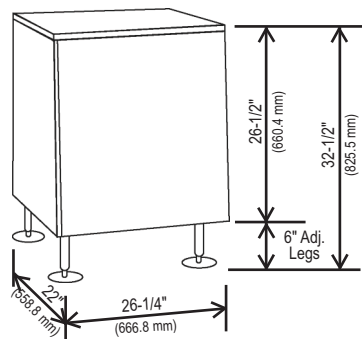


FRONT VIEW

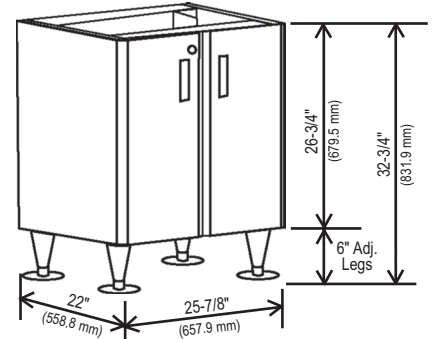
SIDE VIEW



AIR-COOLED UNIT



SD-450



SD-500

ELECTRICAL & PLUMBING/DCM-300BAH-OS

- 115V/60/1
- 20 amp Max Fuse Size
- Icemaker Water Supply Line: Minimum 1/4" Nominal ID Copper Water Tubing or Equivalent
- Icemaker Drain Line: Minimum 3/4" Nominal ID Hard Pipe or Equivalent

OPERATING LIMITS

- Ambient Temp Range 45 - 100°F
- Water Temp Range 45 - 90°F
- Water Pressure 10 - 113psig
- Voltage Range 104 - 127V

SERVICE

- Panels easily removed and all components accessible for service.
- Removable/cleanable air filter.

