

# GreenSource iSeries BC Model | Console

Available in four sizes: 009, 012, 015, 018 from 3/4 to 1 1/2 tons



**BOSCH**  
Invented for life

## Features and Benefits:

- ▶ Coated Air Coil
- ▶ TXV
- ▶ Service Connections
- ▶ R410-A Refrigerant
- ▶ PSC Motor
- ▶ Stainless Steel Drain Pan
- ▶ Copper Coaxial Heat Exchanger
- ▶ Extended Range
- ▶ Rotary Compressor
- ▶ 4-Way Reversing Valve
- ▶ Unit Protection Module



Standard length: 48"

## High Efficiency

At the heart of every BC Model console unit is a high efficient way to provide heating and cooling in areas where space and access are limited. Office buildings, hotel/motels, schools and assisted living complexes are typical applications where these units are used. They are available in sizes from 3/4 to 1 1/2 tons.

## Quiet Operation

The BC Model is designed to provide exceptionally quiet operation for any application.

## Environmentally Friendly

Each console unit not only substantially reduces your operating costs but also plays an important role in reducing CO<sub>2</sub> emissions, a leading cause of global warming.

## Quality

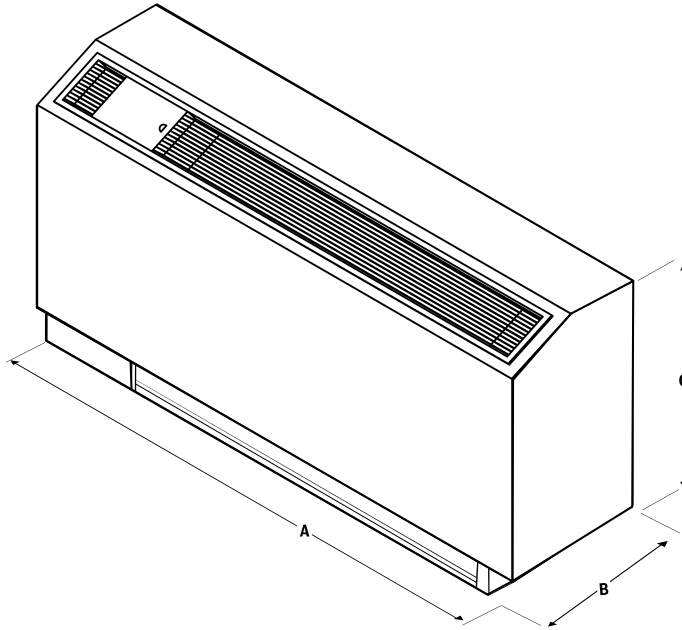
All BC Model console units feature coated evaporator coils and stainless steel drain pans as standard equipment to ensure a long and trouble-free life. Rigorous factory testing virtually guarantees no hassle from the start while Bosch's vast experience in designing heat pumps for both residential and commercial applications is your assurance of a state-of-the-art quality product. Bosch's ISO 9001:2000 certified facilities provide consistent quality in every unit we build.

## Optional:

- ▶ Cupronickel Coaxial Heat Exchanger
- ▶ DDC Controls (only with RXX and SXX)
- ▶ CUC Solid State Console Unit Controller (only with UXX)
- ▶ Extended 63" Length Cabinet
- ▶ Fresh Air Damper

	RXX/SXX/UXX
List of Options	Option #
1/2" FPT Connection	BC30FRXX
75VA Transformer	BC287RXX
BC Cabinet, 63"	BC126RXX
Compressor Monitor Relay	BC22CRXX
Console Disconnect Switch	BC22JRXX
Console EMS Relay	BC22ARXX
DDC 7.03 w/ LonWorks Card	BC29LRXX
DDC for Console	BC29MRXX
Fan/Pump Interlock Relay	BC22ERXX
Motorized Damper Kit	BC22ORXX
No Upper Cabinet No Lower Subbase	BC20TRXX
No Upper Cabinet	BC20SRXX
Unit Wiring for 208 Volt	BC22MRXX
Blower Monitor Relay	BC22BRXX

Information subject to change without notice.



## Ordering Information

Console units are available as BC models from 3/4 to 1 1/2 tons with a standard length of 48". An extended length 63" cabinet is available as an option.

Model	Dimensions		
	Horizontal		
	A (width)	B (depth)	C (height)
BC009	48.00	12.00	23.88
BC012	48.00	12.00	23.88
BC015	48.00	12.00	23.88
BC018	48.00	12.00	23.88

All dimensions are in inches.

Model	ARI/ISO 13256-1 Performance Data											
	Entering Water Temperatures											
	Water Loop (WLHP)				Ground Water (GWHP)				Ground Loop (GLHP)			
	86°F		68°F		59°F		50°F		77°F		32°F	
	Cooling Capacity	EER	Heating Capacity	COP	Cooling Capacity	EER	Heating Capacity	COP	Cooling Capacity	EER	Heating Capacity	COP
BC009	8,200	12.9	9,400	4.6	10,200	22.3	7,400	3.8	9,000	16.0	5,400	3.3
BC012	10,500	12.0	12,400	4.3	13,000	19.4	10,900	3.8	11,500	14.2	8,400	3.3
BC015	14,400	13.3	15,000	4.3	16,400	19.8	11,800	3.6	14,700	14.5	9,800	3.3
BC018	16,400	12.3	17,500	4.2	18,300	17.6	14,600	3.4	17,000	14.0	12,000	3.1

Information subject to change without notice.

### Bosch Thermotechnology Corp.

555 NW 65th Court

Fort Lauderdale, FL 33309

General Inquiries: 1-866-642-3198

Contractor Technical Support: 1-800-283-3787

[boschheatingandcooling.com](http://boschheatingandcooling.com)

Printed on Elemental Chlorine Free, FSC-certified, minimum 10% PCW paper with vegetable-based inks.

Scan the QR code to the right to access product information.

