

Greensource iSeries SL Model Geothermal Heat Pump

Available from 6 to 10 tons



BOSCH
Invented for life

Features and Benefits:

- ▶ G-90 galvanized steel cabinet
- ▶ Horizontal and vertical configurations
- ▶ Stainless steel drain pan
- ▶ Thermal expansion valve (TXV)
- ▶ Refrigerant service connections
- ▶ R410-A Refrigerant
- ▶ Copper coaxial heat exchanger
- ▶ 4-way reversing valve
- ▶ Reciprocating Compressor (072 and 096 size units)
- ▶ Scroll compressor (120 size unit only)
- ▶ Dual refrigeration circuits
- ▶ 1 year parts limited warranty⁽¹⁾
- ▶ 5 years compressor limited warranty⁽¹⁾



High Efficiency

The SL Model geothermal heat pump is equipped with two refrigeration circuits that are designed and controlled to ensure peak performance and comfort. Homes, apartment buildings, office buildings, hotel/motels, schools and assisted living complexes are typical applications where these units are used. They are available in sizes from 6 to 10 tons.

Quiet Operation

The SL Model is engineered to ensure quiet operation. Selectable options like the compressor sound blankets help to reduce noise escaping the unit cabinetry.

Environmentally Friendly

Each unit not only substantially reduces your operating costs but also plays an important role in reducing CO₂ emissions, a leading cause of global warming.

Quality

All SL Models feature optional coated evaporator coils and stainless steel drain pans as standard equipment which helps to ensure long life and durability. Rigorous factory testing provides a reliability standard and reduces hassle from the start while Bosch's vast experience in designing heat pumps for both residential and commercial applications is your assurance of a state-of-the-art product. Bosch's ISO 9001:2000 certified facilities provide consistent quality in every unit we build.

RESIDENTIAL & LIGHT COMMERCIAL

Electronic Circuit Board Features:

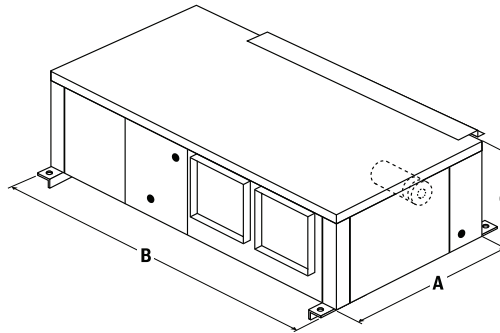
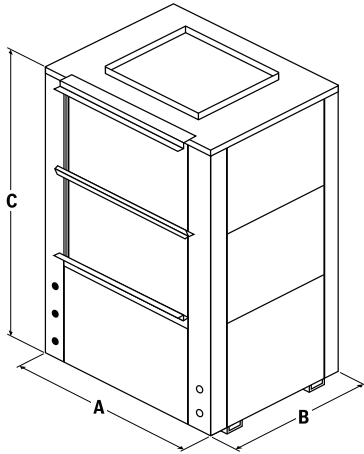
- ▶ Low and high pressure switch protection
- ▶ Alarm output
- ▶ Condensate overflow protection
- ▶ Anti-short cycling
- ▶ 5 minute time delay safety protection from short cycling
- ▶ Low pressure bypass at start up
- ▶ Random unit start
- ▶ Brown out protection
- ▶ Evaporator freeze protection
- ▶ Water coil/coaxial coil

Optional:

- ▶ 4-sided filter rack
- ▶ Hot gas bypass
- ▶ Hot gas reheat
- ▶ Cupro-nickel coaxial heat exchanger
- ▶ Duo-Guard evaporator coil protection
- ▶ 1/2" thick closed cell foam fiber-free insulation

(1) Full details of the warranty are included with the product at the time of sale and will be provided upon request.

Information subject to change without notice.



Voltages:

- ▶ 208-230/1/60
- ▶ 277(265)/1/60
- ▶ 208-230/3/60
- ▶ 460/3/60
- ▶ 575/3/60

Ordering Information:

Units are available as SL Models from 6 to 10 tons.

Model	Dimensions and Weight							
	Vertical				Horizontal			
	A - width (inches)	B - depth (inches)	C - height (inches)	Weight (lbs.)	A - width (inches)	B - depth (inches)	C - height (inches)	Weight (lbs.)
SL072	42.00	32.00	62.00	670	38.00	78.00	21.50	715
SL096	42.00	32.00	62.00	702	38.00	78.00	21.50	752
SL120	42.00	32.00	62.00	935	38.00	78.00	21.50	980

Model	ARI/ISO 13256-1 Performance Data											
	Entering Water Temperatures											
	Water Loop (WLHP)				Ground Water (GWHP)				Ground Loop (GLHP)			
	86°F		68°F		59°F		50°F		77°F		32°F	
	Capacity and Efficiency Data											
	Cooling Capacity	EER	Heating Capacity	COP	Cooling Capacity	EER	Heating Capacity	COP	Cooling Capacity	EER	Heating Capacity	COP
SL072	72,000	13.0	92,000	4.5	80,400	18.6	72,400	3.8	75,600	14.2	54,800	3.2
SL096	96,000	14.0	116,000	4.8	116,000	20.6	93,200	4.2	104,000	15.4	73,600	3.5
SL120	124,000	13.2	158,000	4.4	134,000	18.3	123,000	3.9	127,000	14.7	100,000	3.2

Information subject to change without notice.

Bosch Thermotechnology Corp.

555 NW 65th Court
 Fort Lauderdale, FL 33309
 General Inquiries: 1-866-642-3198
 Contractor Technical Support: 1-800-283-3787
boschheatingandcooling.com

Printed on Elemental Chlorine Free, FSC-certified, minimum 10% PCW paper with vegetable-based inks.

Scan the QR code to the right to access product information.

