

# AM-50BAE-(AD)DS

\* Item # \_\_\_\_\_

Project: \_\_\_\_\_

Qty: \_\_\_\_\_

\*AutoCad available on KCL

## SELF-CONTAINED CUBER WITH BUILT-IN STORAGE BIN (ADA Compliant with Customized Door System)

AM-50BAE-DS

2/14

Item #13172

### CUBER DIMENSIONS W x D x H

#### AM-50BAE

14<sup>7/8</sup> x 22<sup>5/8</sup> x 33<sup>1/2</sup>

#### AM-50BAE-AD

14<sup>7/8</sup> x 22<sup>5/8</sup> x 31<sup>1/2</sup>

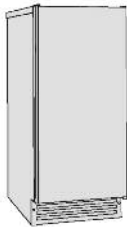
#### AM-50BAE-DS

14<sup>7/8</sup> x 22<sup>5/8</sup> x 33<sup>1/2</sup>

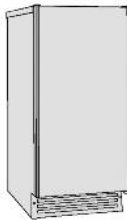
#### AM-50BAE-ADDS

14<sup>7/8</sup> x 22<sup>5/8</sup> x 31<sup>1/2</sup>

\*DS - Designed to accommodate custom cabinetry to affix to stainless door.



AM-50BAE-DS



AM-50BAE-(AD)DS

### AM-50BAE

Air-Cooled  
Shown

### AM-50BAE-AD

Air-Cooled  
ADA Compliant Unit



### AM-50BAE-DS\*

Air-Cooled  
Shown  
with Custom Cabinetry

### AM-50BAE-ADDS\*

Air-Cooled  
ADA Compliant Unit



\*Customer responsible for providing cabinetry

### AM-50BAE & AM-50BAE-DS

- Undercounter design is less than 34 inches tall

### AM-50BAE-AD & AM-50BAE-ADDS

- Undercounter design is less than 32 inches tall, which complies with the Americans with Disabilities Act (ADA)

### AM-50BAE(-DS) & AM-50BAE-AD(DS)

- Up to 55 lbs. of ice production per 24 hours
- UL approval for outdoor use
- Up to 22 lbs. of built-in storage capacity
- Power switch accessible without panel removal
- Easily disassembled water circuit for easy cleaning
- Front in, front out airflow
- Fewer moving parts for longer life
- -DS Door Reversal Part - HS-0229 - Available as a Service Part
- Optional kit required for "- DS" models
- Side trim kit available
- Accessory - HS-5061 Drain Pump Assembly
- R-134A Refrigerant



### Warranty

Valid in United States, Canada, Puerto Rico, & U.S. Territories. Contact factory for warranty in other countries.

**Two Year** - Parts & Labor on entire machine.

**One Year** - HS-5061 Drain Pump Assembly - Parts & Labor.



# AM-50BAE-(AD)DS\*

## SELF-CONTAINED CUBER WITH BUILT-IN STORAGE BIN

\*DS - Designed to accommodate custom cabinetry to affix to stainless door.

### DIMENSIONS

W x D x H

**AM-50BAE / AM-50BAE-DS**  
14<sup>7/8</sup> x 22<sup>5/8</sup> x 33<sup>1/2</sup>

**AM-50BAE-AD / AM-50BAE-ADDS**  
14<sup>7/8</sup> x 22<sup>5/8</sup> x 31<sup>1/2</sup>

- Air-cooled
- Air-cooled, ADA compliant

### AIR-COOLED

Water Temp ° F.	50°
Air Temp ° F.	70°
	55 lbs.

### UTILITY CONSUMPTION (AIR 70°F/WATER 50°F)

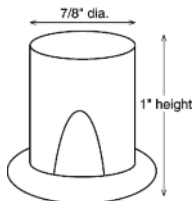
Model Number	Ice Production Per Cycle		KWH per 100 LBS.	Potable Water Gal. per 100 lbs.	Condenser Water Gal. per 100 lbs.
	Lbs.	Cubes			
AM-50BAE-(AD)DS	0.65	24	9.9	53.7	N/A

### SPECIFICATIONS

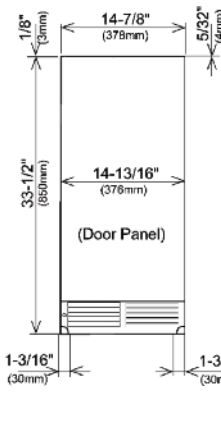
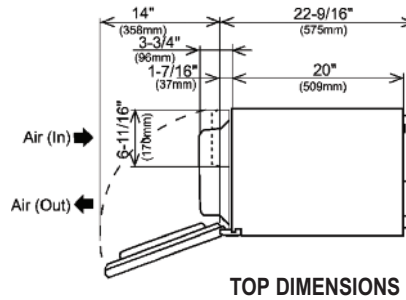
Model Number	Condenser	Amperage	Min. Circuit Ampacity	Shipping Weight
AM-50BAE-(AD)DS	Air-Cooled	3.4	15	115 lbs.*

\* Without pallet

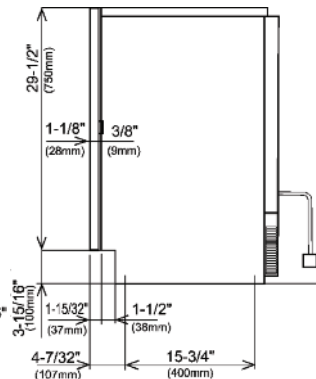
### \*AM CUBE DIMENSIONS



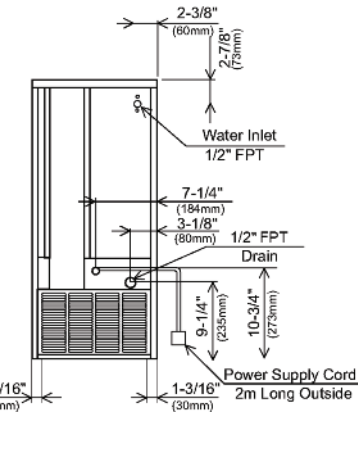
\*approximate size, image not to scale



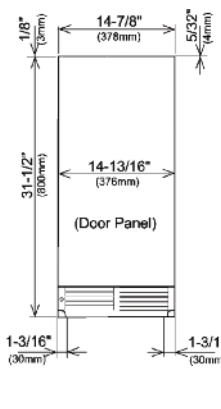
FRONT DIMENSIONS



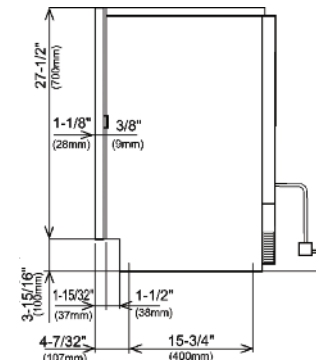
SIDE DIMENSIONS



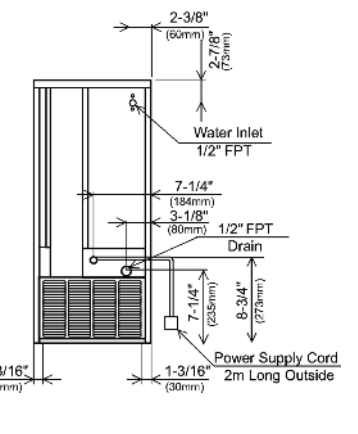
BACK DIMENSIONS



FRONT DIMENSIONS  
(ADA compliant unit)



SIDE DIMENSIONS  
(ADA compliant unit)



BACK DIMENSIONS  
(ADA compliant unit)

### ELECTRICAL & PLUMBING

- 115V/60/1ø
- 15 amp Max Fuse
- 1/2" FPT Water Inlet
- 1/2" FPT Drain



© HOSHIZAKI AMERICA, INC.

### OPERATING LIMITS

- Ambient Temp Range 45 - 100°F
- Water Temp Range 45 - 95°F
- Water Pressure 7 - 113psig
- Voltage Range 104 - 127V

### OPTIONS

- Side trim kit available

